



Owner's Manual for: RR-CQLR-1 (1-4X24mm)

W A R N I N G

**Please read instructions
prior to use**

Improper or careless use of a firearm or a firearm and holster may result in serious injury or death. It is the user's responsibility to have a thorough knowledge and be properly trained in all aspects of firearm and optic safety and use.

- If your firearm is equipped with a safety lever, be sure that the safety is engaged when not actively shooting.
- Do not use worn or broken firearms or those that are not of original manufacturer's specifications.
- Always use 4 basic safety rules when operating firearms:
 - Treat all guns as if they are loaded.
 - Never point the muzzle at anything you do not want to destroy or kill.
 - Keep your finger off the trigger until ready to shoot.
 - Be absolutely sure of your target and what is behind it.

Failure to heed these warnings or follow the operating instructions may result in accidental discharge of a firearm causing serious injury or death.

Read and understand all owners manuals, instructions, and guides prepared by the manufacturer for your firearm.

The purchase and use of this PFI Rapid Reticle product is done at the sole and exclusive risk of the user.

Owner's Manual

Description

The new Rapid Reticle RR-CQLR-1 (1-4x24mm) illuminated rifle scope is truly an innovative and functional "force multiplier" scope system. The scope is calibrated to be used with .223 Remington (5.56 NATO) and .308 Winchester (7.62 NATO) ammunition. Once you are zeroed with the scope, you can shoot from zero to 600 yards without having to use Kentucky windage or add clicks for elevation. The patented first focal plane ballistic reticle also allows for windage correction, up to 10 miles per hour. The reticle also assists in determining the range by using the patented built in ranging brackets. The illumination can be seen in low light conditions and on 1x, the RR-CQLR-1 becomes a reflex sight for CQB and close shots. Whether in daylight or darkness, the etched reticle can be easily seen from 1x to 4x for close to intermediate shots.

This scope was designed by PFI and manufactured with the highest quality materials and control systems. The RR-CQLR-1 has no distortion at any power and can be used with both eyes open when shooting. The quality and performance of this scope system has been rated very high by military and police shooters who have field tested the PFI system, both on the range and in combat.

The RR-CQLR-1 was in research and development for over three years and PFI is proud to offer this innovative high quality system to military, law enforcement and civilian shooters. All PFI products come with a limited lifetime warranty.

Specifications

- Nitrogen filled one piece 30mm diameter 6061 T6 aluminum tube with matte black anodized finish
- Shock, fog, and water proof multi-coated lenses
- 1-4x24 mm with fast focus eye piece
- First focal plane reticle to allow for accurate shooting throughout power range without manual adjustment
- Positive 1/4 MOA windage and elevation clicks on the low profile target type knobs with reset to zero feature.
- Illumination Power: 2032 lithium 3V button battery
- Battery life: 9 days @ full power, 1 year if turned off when not in use
- Weight (oz): 17.29
- Length (inch): 10.24
- Eye Relief (mm): 97 @ 1x 94@4x
- Eye Relief (inch): 3.81 @ 1x 3.74 @ 4x
- Field of View (feet @ 100 yds): 97.48@ 1x 24.14 @ 4x
- Exit Pupil (mm): 13.1 @ 1x 6 @ 4x

Owner's Manual

Warning

WARNING: Properly dispose of used batteries. Do not put into an open flame. It may cause injury due to explosion.

Care and Maintenance

Congratulations on your PFI purchase. You have selected a product with construction technology that is unique and state of the art in the manufacturing of optics.

Care and maintenance of this product is dictated by the material from which it is constructed. Use of an incorrect cleaning material will result in damage to the finish of the product.

Please use a non-corrosive glass/lens cleaner on PFI optics, along with a soft cotton cloth. Do not dip or submerge in water or other liquids to clean.

Do not attempt to make any adjustments to the centrally located side tension screw as this will void your warranty.

Additional Warnings: It is the user's responsibility to inspect the optic for signs of excessive wear, and tightness of all screws and hardware. If any possible problem is detected or any doubt exists, do not use. Call PFI's Customer Service at (877) 817-6019.

Zeroing Instructions RR-CQLR-1's

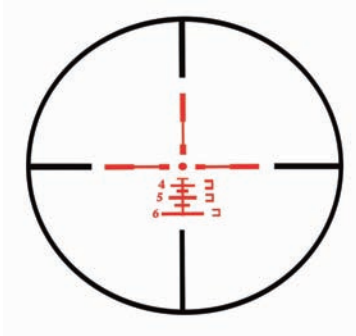
1. Initial zero is done at 25 yards. Group should be approx. 1 3/4" below the point of aim.
2. Verify and adjust zero as needed at 100 yards. A 3" orange target works well at 100 yards.
3. Verify impacts at distance, 400, 500, etc. Fine tune the elevation, if needed, to maximize the effectiveness of the reticle.

Owner's Manual

Details

- 10 mph wind compensation located at either end of the 400, 500, and 600 yard holdover lines.
- The RR-CQLR-1 ballistic reticle is calibrated to work with calibers that have similar ballistics. (i.e. standard conditions: .308 Winchester, 150 gr FMJ @ 2,800 fps, .30AR, 125 gr FMJ @ 2,677 fps, .223 Remington, 55 & 62 gr FMJ @ 3,200 fps)
- Point of impact data needs to be verified and hold, high/low might need to be used.

RR-CQLR-1 Reticle



Illuminated Mode



Standard Mode

Owner's Manual

Battery Installation

A



While holding the power turret with two fingers, use a coin to remove the battery housing cap. Turn the coin in a counter clockwise direction to loosen cap.

B



Battery compartment is located in the power turret housing.

C



Place CR2032, 3 volt battery into the battery compartment with the positive side of the battery exposed outward.

D



Carefully replace the battery housing cap by making sure the threads are properly joined together. By using a coin, turn the cap clockwise until the cap is snug. **DO NOT OVER TIGHTEN!** This may damage the threads.

Owner's Manual

Illumination Power Knob



When not using the illumination feature of this scope, leave the knob on the off position.



There are 10 illumination settings to choose from. While you are looking through the scope, you can rotate the knob to the desired illumination. The illumination can be seen in a low light environment; indoors, dusk, night and dawn.

Elevation Turret



To add clicks to elevation to raise impacts, turn the elevation knob counterclockwise. Each click is 1/4" at 100 yards or 1/4 MOA. To lower the impacts, turn the turret clockwise.

Owner's Manual

Windage Turret



To move the impact to the right, turn the windage turret counter clockwise. To move the impact to the left, turn the windage turret clockwise. Each click is 1/4" at 100 yards or 1/4 MOA.

Target Turret Reset Feature



Once you are zeroed, reset the windage and elevation turrets to zero setting. Lift the turret and rotate to zero.



Once the turrets are reset to zero then press down on the turrets to lock it back into place.

Owner's Manual

Magnification Power Ring



IX magnification for close quarters.



4X magnification for long range shooting

Fast Focus Eye Piece

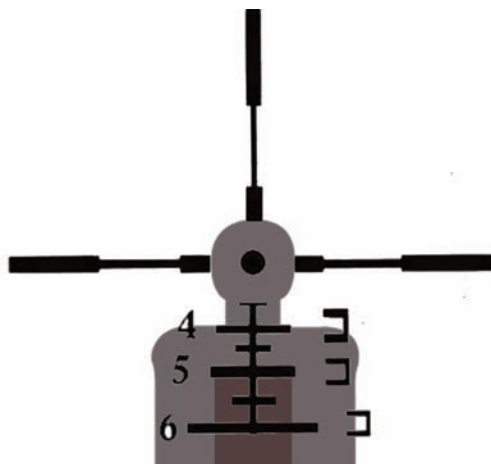


While looking through the eye-piece rotate the ring either clockwise or counter clockwise to focus the scope to your eye.

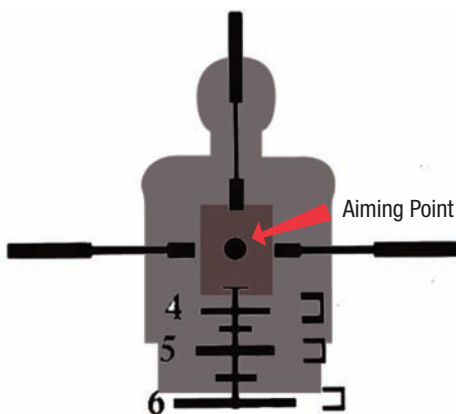
Owner's Manual

Ranging at 100 Yards

100 yds: Target fills up space between all center crosshairs



Aiming point: Center Dot



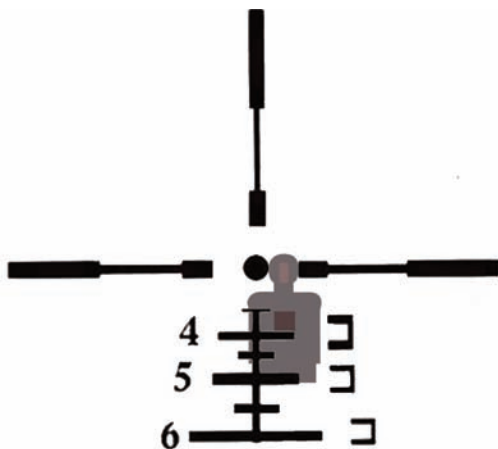
NOTE: Calculated for targets approximately 9" in diameter

(877) 817-6019 • customerservice@RapidReticle.com
www.RapidReticle.com

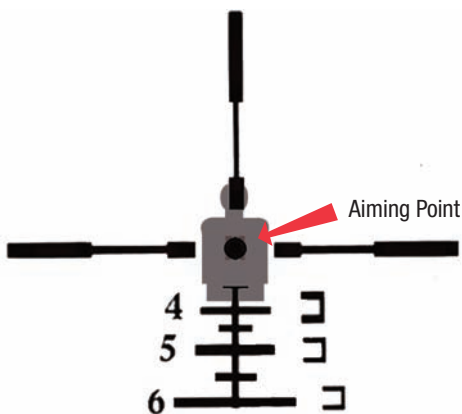
Owner's Manual

Ranging at 200 Yards

200 yds: Target fits between center dot and any of the 4 center crosshairs.



Aiming point: Center Dot



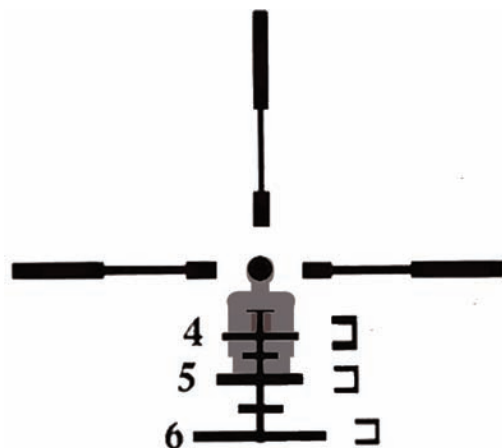
NOTE: Calculated for targets approximately 9" in diameter

(877) 817-6019 • customerservice@RapidReticle.com
www.RapidReticle.com

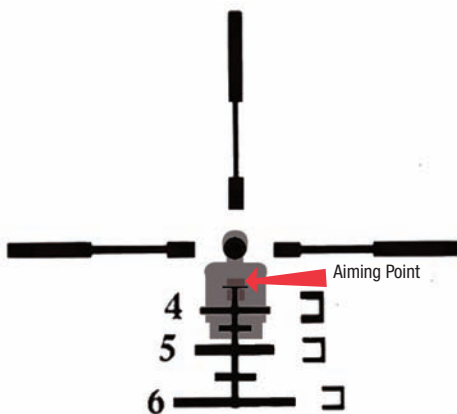
Owner's Manual

Ranging at 300 Yards

300 yds: Target is equal to the center dot



Aiming point: 1st holdover line below center dot



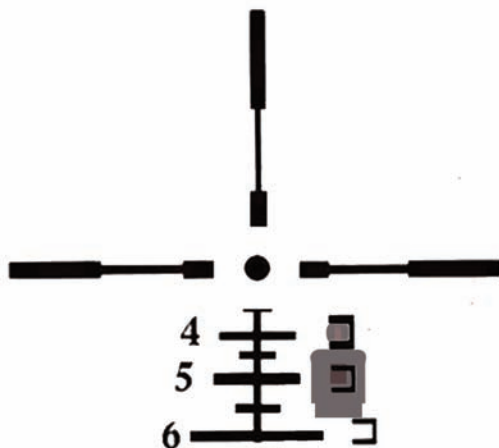
NOTE: Calculated for targets approximately 9" in diameter

(877) 817-6019 • customerservice@RapidReticle.com
www.RapidReticle.com

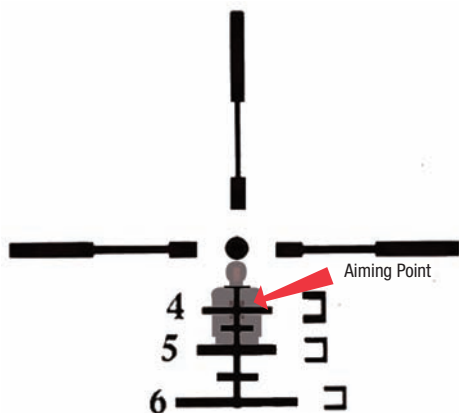
Owner's Manual

Ranging at 400 Yards

400 yds: Target fits inside bracket



Aiming point: Holdover line designated "4"



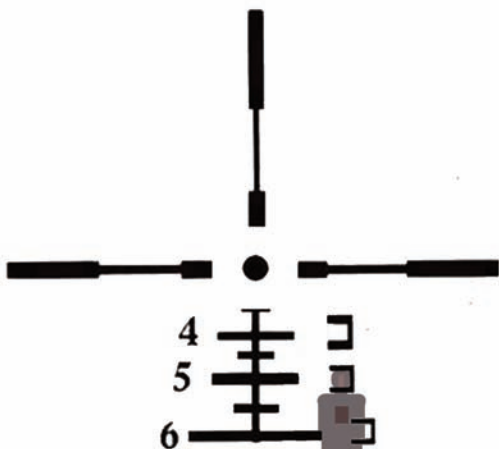
NOTE: Calculated for targets approximately 9" in diameter

(877) 817-6019 • customerservice@RapidReticle.com
www.RapidReticle.com

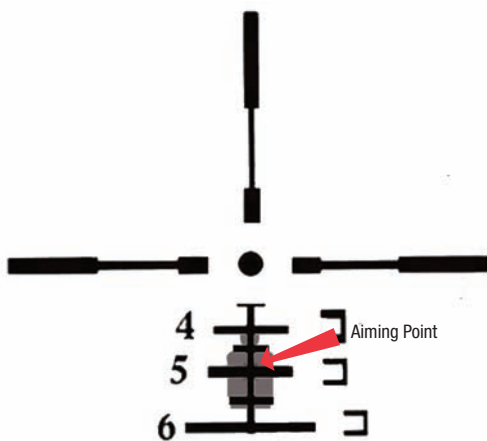
Owner's Manual

Ranging at 500 Yards

500 yds: Target fits inside bracket



Aiming point: Holdover line designated "5"



NOTE: Calculated for targets approximately 9" in diameter

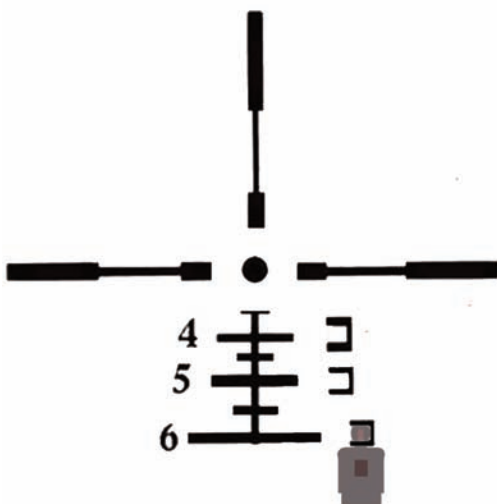
(877) 817-6019 • customerservice@RapidReticle.com

www.RapidReticle.com

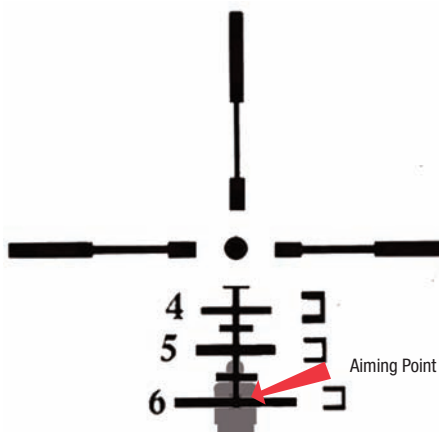
Owner's Manual

Ranging at 600 Yards

600 yds: Target fits inside bracket



Aiming point: Holdover line designated "6"



NOTE: Calculated for targets approximately 9" in diameter

(877) 817-6019 • customerservice@RapidReticle.com
www.RapidReticle.com



(877) 817-6019 • customerservice@RapidReticle.com
www.RapidReticle.com